

A Name You Can Trust



SINCE 1991

G
GEAR'S



NAXON

GOVARDHAN GEAR

MANUFACTURERS OF : HELICAL & WORM REDUCTION GEAR BOX

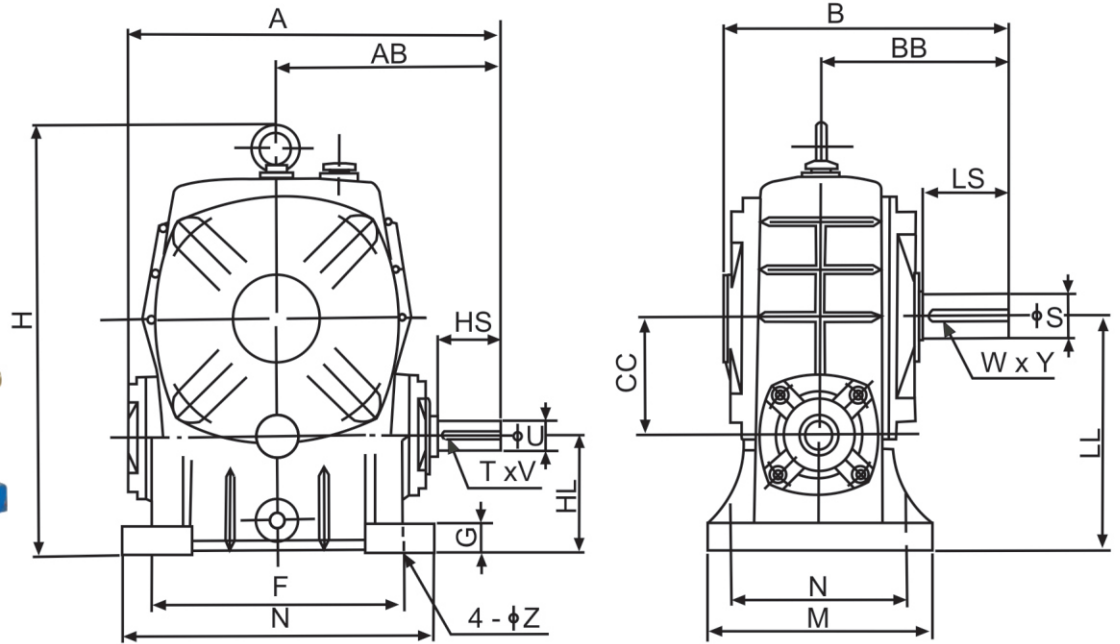
Mobile : (O) +91 94266 07917, 94266 47917, 94293 47917 || Website : www.naxon.in

E-mail : govardhan_gear@yahoo.in, govardhan.gear@gmail.com, sales.naxon@gmail.com

42/1, Parmeshwar Ind. Estate-2, Nr. NEO Plast, Opp. HDFC Bank,
Phase-1, GIDC, Vatva, Ahmedabad-382445.



Dimensions of Outline Installation



Size	Ratio	A	AB	B	BB	CC	E	F	H	HL	LL	M	N	G	Z
50	1/10	175	105	145	95	50	95	110	180	130	80	120	140	18	11
60		195	120	165	110	60	105	120	210	60	120	130	150	20	11
70	1/20	234	140	195	130	70	115	150	243	70	140	150	190	20	15
80	1/30	264	160	210	140	80	135	180	273	80	160	170	220	20	15
100	1/40	322	190	260	170	100	155	220	340	100	200	190	270	25	15
120	1/50	385	230	290	190	120	180	260	405	120	240	230	320	30	18
135		435	260	320	210	135	200	290	445	350	215	250	350	30	18
155	1/60	507	302	387	252	155	220	320	483	390	235	280	390	38	20

Size	Input Shaft			Output Shaft			kg	l
	HS	U	TXV	LS	S	WXY		
50	30	12	4 x 2.5	40	17	5 x 3	7	0.4
60	40	15	5 x 3	50	22	7 x 4	10.5	0.5
70	40	18	5 x 3	60	28	7 x 4	14.5	0.7
80	50	22	7 x 4	65	32	10 x 4.5	22	1.1
100	50	25	7 x 4	75	38	10 x 4.5	36	2.3
120	65	30	7 x 4	85	45	12 x 4.5	63	4.5
135	75	35	10 x 4.5	95	55	15 x 5	80	6.0
155	85	40	10 x 4.5	110	60	15 x 5	114	6.2

