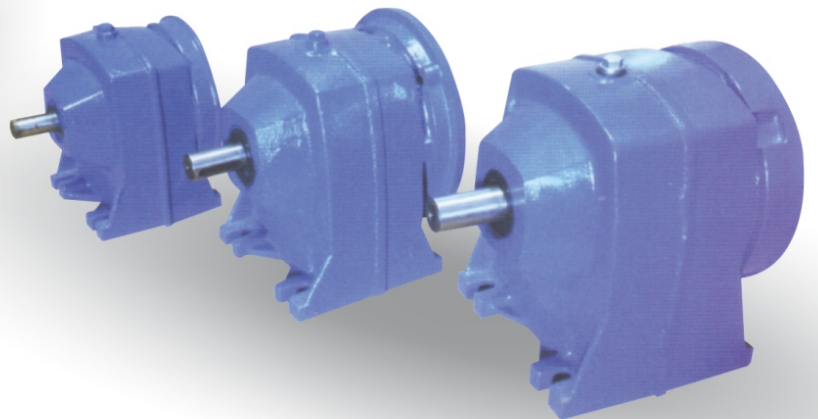
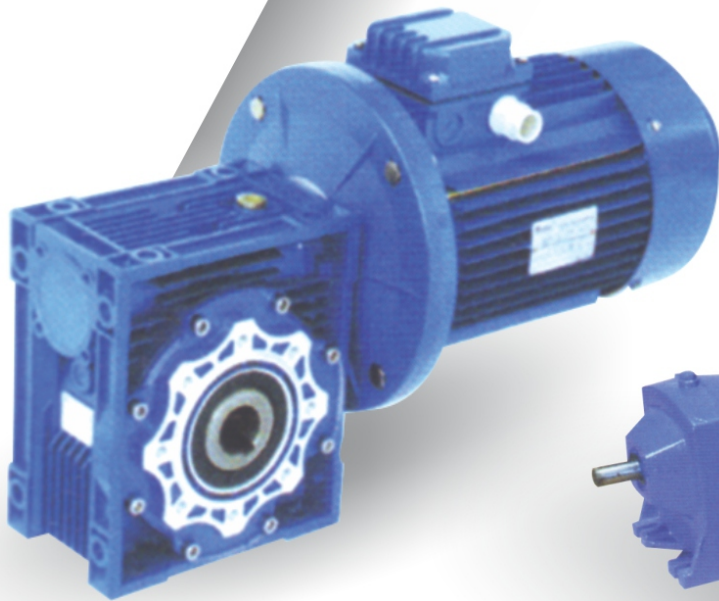
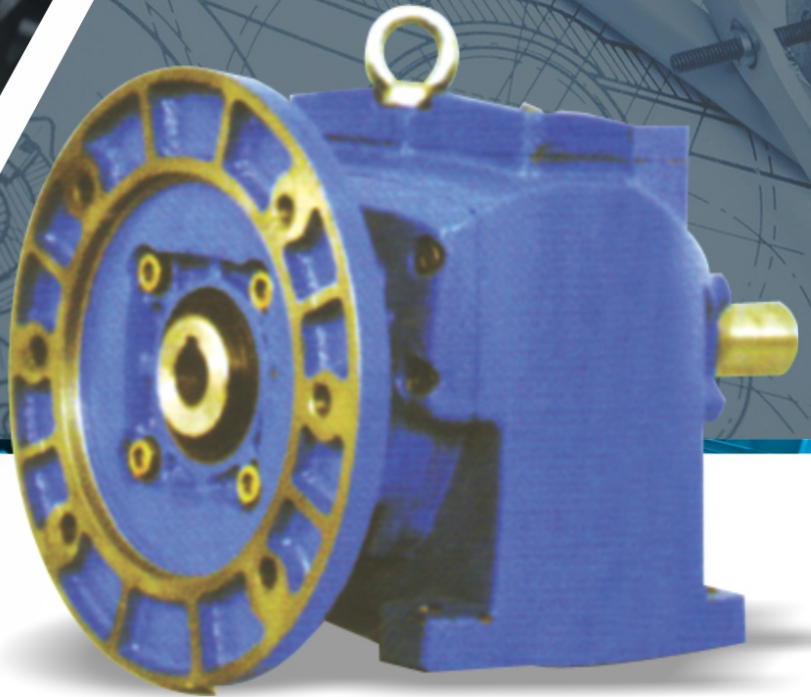
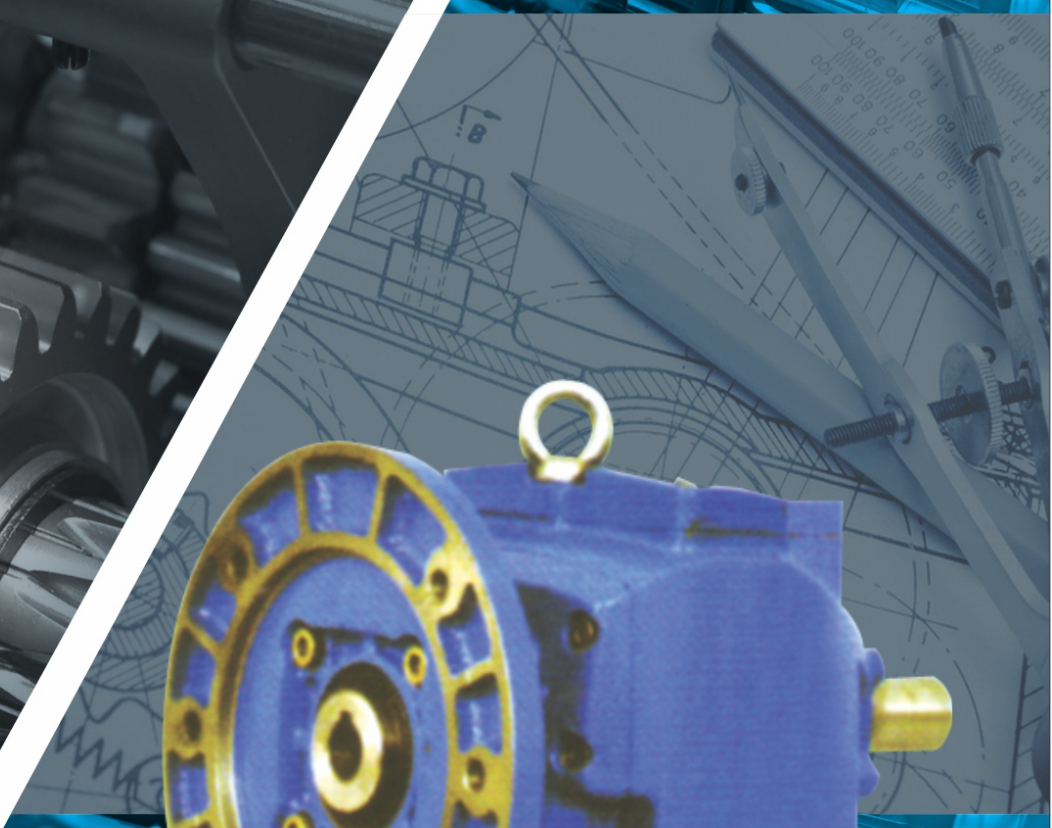
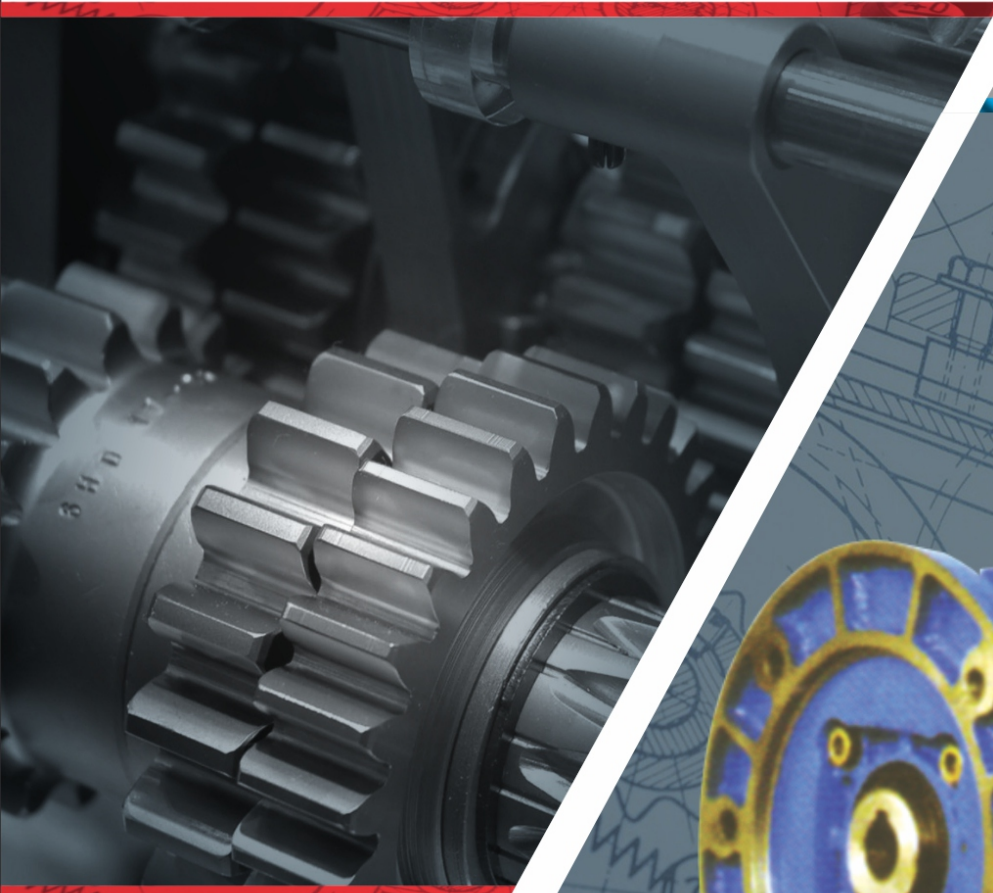
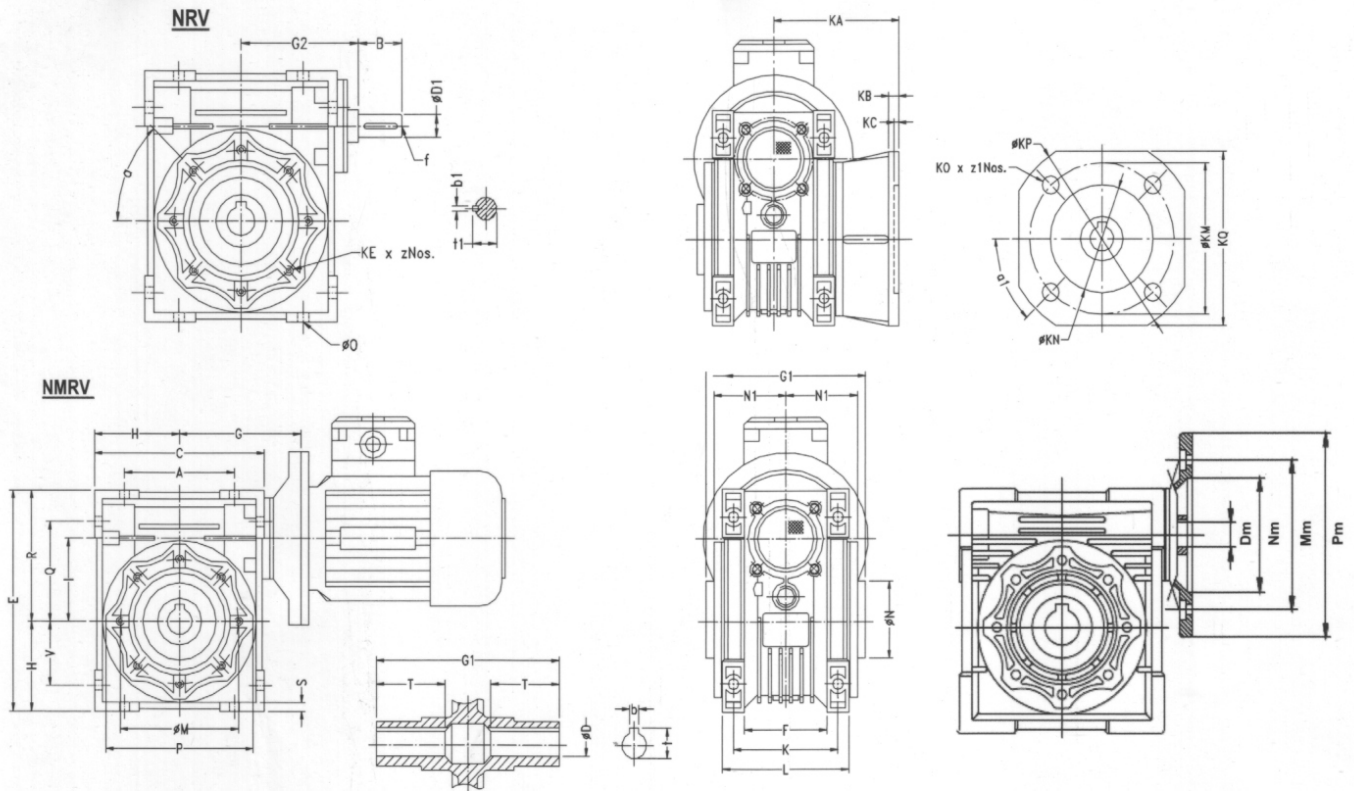


G
GEAR



NMRV SERIES WORM GEAR BOX



Dimension of NMRV

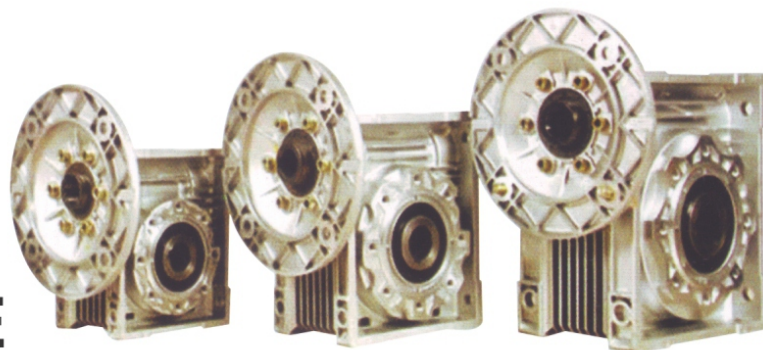
Model	A	C	G	E	H	I	K	KE	L	M	N(h8)	O	Q	R	S	V	OUTPUT				
																	G1	D(H7)	b	t	KA
BOX 30	54	80	55	97	40	30	44	M6x11(n 4)	56	65	55	6.5	44	57	5.5	27	63	14	5	16.3	54.5
BOX 40	70	101	72	121	50	40	60	M6x10(n 4)	71	75	60	6.5	55	71.5	6.5	35	78	18	6	20.3	67/97
BOX 50	80	121.5	89.5	144	60	50	70	M8x10(n 4)	85	85	70	8.5	64	84	7	40	92	25	8	28.3	90/120
BOX 63	100	147.5	104.5	174	72	63	85	M8x14(n 8)	103	95	80	8.5	80	102	8	50	112	25	8	28.3	82/112
BOX 75	120	174	114	205	86	75	90	M8x14(n 8)	112	115	95	11.5	93	119	10	60	120	28	8	31.3	111
BOX 90	140	208	129.5	238	103	90	100	M10x18(n 8)	130	130	110	13	102	135	11	70	140	35	10	38.3	111
BOX 110	170	255	153.5	295	128.5	110	115	M10x18(n 8)	144	165	130	14	125	167.5	14.5	85	155	42	12	45.3	131
BOX 130	200	292.5	180	335	147.5	130	120	M12x21(n 8)	155	215	180	16	140	187.5	15.5	100	170	45	14	48.8	140
BOX 150	240	340	210	400	170	150	145	M12x21(n 8)	185	215	180	18	180	230	18	120	200	50	14	53.8	155

Input and Combination

Model	Motor Type	Nm	Mm	Pm	Dm	tm	bm
BOX 30	B5	95	115	140	11	12.8	4
	B14	60	75	90			
BOX 40	63 B5	95	115	140	11	12.8	4
	63 B14	60	75	90	11	12.8	4
	71 B5	110	130	160	11	16.3	5
BOX 50	71 B14	70	85	105	14	16.3	5
	63 B5	95	115	140	14	12.8	4
	71 B5	110	130	160	11	16.3	5
	71 B14	70	85	105	14	16.3	5
	80 B5	130	165	200	14	21.8	6
BOX 63	80 B14	80	100	120	19	21.8	6
	71 B5	110	130	160	19	16.3	5
	80 B14	70	85	105	14	16.3	5
	80 B5	130	165	200	14	21.8	6
BOX 75	90 B5	100	120	150	19	21.8	6
	90 B5	130	165	200	19	27.3	8
	90 B5	130	165	200	19	27.3	8
	90 B14	80	100	120	19	21.8	6

Model	Motor Type	Nm	Mm	Pm	Dm	tm	bm
BOX 75	80 B5	130	165	200	19	21.8	6
	90 B5	130	165	200	24	27.3	8
	100 B5	180	215	250	28	31.3	8
	100 B14	110	130	160	28	31.3	8
BOX 90	120 B5	180	215	250	28	31.3	8
	80 B5	130	165	200	19	21.8	6
	90 B5	130	165	200	24	27.3	8
	100 B14	110	130	160	28	31.3	8
BOX 110	100 B5	180	215	250	28	31.3	8
	112 B5	180	215	250	28	31.3	8
	132 B5	230	265	300	38	41.3	10
BOX 130	90 B5	130	165	200	24	27.3	8
	110/112 B5	180	215	200	28	31.3	8
BOX 150	132 B5	230	265	300	38	41.3	
	110/112 B5	180	215	250	28	31.3	
	160 B5	250	300	350	42	45	

NMRV SERIES WORM GEAR BOX



SELECTION TABLE

Model	Ratio(I)	Motor (Kw)	RPM (n2)
BOX 30	7.5	0.18	187
	10		140
	15		93
	20		70
	25		56
	30		46.9
	40		35
	50		28

Model	Ratio(I)	Motor (Kw)	RPM (n2)
BOX 40	7.5	0.37	187
	10		140
	15		93
	20		70
	25		56
	30	46.9	
	40	0.25	35
	50	28	
	60	0.18	23

Model	Ratio(I)	Motor (Kw)	RPM (n2)
BOX 50	7.5	0.75	187
	10		140
	15		93
	20	0.55	70
	25		56
	30		46.9
	40	0.37	35
	50		28
	60	0.18	23
	80		17.5
100	14		

Model	Ratio(I)	Motor (Kw)	RPM (n2)
BOX 63	7.5	0.15	187
	10		140
	15	0.11	93
	20		70
	25	0.75	56
	30		46.9
	40	35	
	50	0.55	28
	60	0.37	23
	80		17.5
100	14		

Model	Ratio(I)	Motor (Kw)	RPM (n2)
BOX 75	7.5	2.2	187
	10		140
	15		93
	20	1.5	70
	25		56
	30		46.9
	40	1.1	35
	50		28
	60	0.75	23
	80		17.5
100	14		

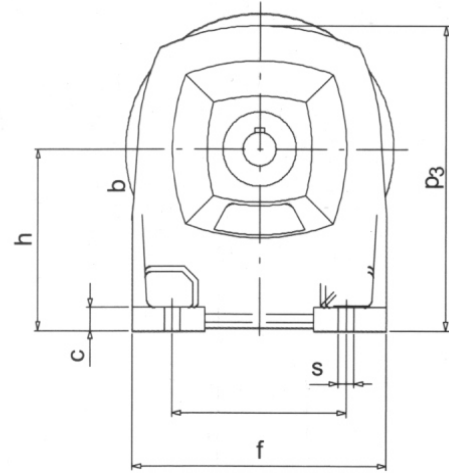
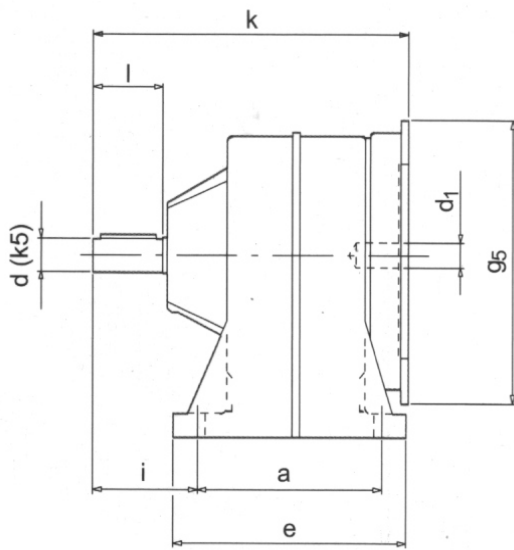
Model	Ratio(I)	Motor (Kw)	RPM (n2)
BOX 90	7.5	4	187
	10		140
	15		93
	20	2.2	70
	25		56
	30		46.9
	40	1.5	35
	50		28
	60	1.1	23
	80		17.5
100	14		

Model	Ratio(I)	Motor (Kw)	RPM (n2)
BOX 110	7.5	4	187
	10		140
	15		93
	20		70
	25	0.75	56
	30		46.9
	40	35	
	50	2.2	28
	60		23
	80	1.5/1.1	17.5
100	14		

Model	Ratio(I)	Motor (Kw)	RPM (n2)
BOX 130	7.5	7.5	187
	10		140
	15		93
	20		70
	25	5.5	56
	30		46.9
	40	4	35
	50		28
	60	2.2	23
	80		17.5
100	14		

Model	Ratio(I)	Motor (Kw)	RPM (n2)
BOX 130	15	7.5	93
	20		70
	25	5.5	56
	30		46.9
	40		35
	50	4	28
	60		23
	80	2.2	17.5
	100		14

SP SERIES (TWO STAGE) HELICAL GEAR BOX



Model	Weight (kg)	d1	g5	k	a	b	c	e	f	h	i	p3	s	d	l
SP 102	11	14	160	181	106	100	13	134	150	102	60	176	9	19	40
	10	19	200	225											
SP 128	17	14	160	207	126	118	16	160	178	128	74	215	11	24	50
	17	19	200	225											
	17	24	200	242											
SP 142	24	19	200	253	145	130	18	179	196	142	95	237	11	28	60
	24	24	200	270											
	24	28	250	312											
SP 162	39	19	200	338	205	160	21	245	226	162	120	269	14	38	80
	39	24	200	338											
	39	28	250	341											
SP 160	50	28	250	409	270	195	24	310	276	160	137	319	13	48	110
	50	28	250	409											
	54	38	300	435											

Model : SP 102		
Ratio	HP	RPM
44.6	0.5	32
34.8		41
28.4		50
22.4		64
17.1		84
14.2		101
12		120
9.4	0.5/ 1.0	152
7.23		199
6.05		238
4.6		312

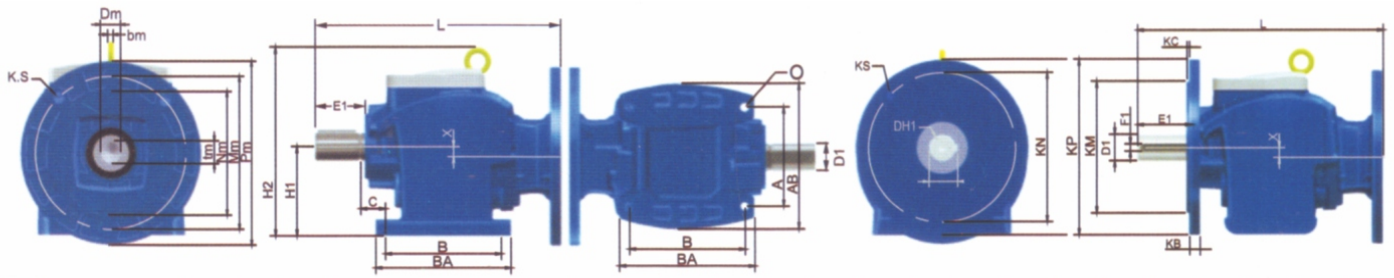
Model : SP 128		
Ratio	HP	RPM
33.4	1.0	42
27.5		52
23.09		62
20.64		70
18.65		77
16.8		85
13.8		104
11.5	125	
9.68	1.0/ 2.0	149
7.05		204
5.94		242
4.8		300

Model : SP 142		
Ratio	HP	RPM
36.3	1.0/2.0	39
28.2		51
22.6	1.5/2.0	63
18.6		77
15		96
11.4		126
9.1	0.5/2.0 /3.0	158
7.2		199
5.8		249
4.7		304

Model : SP 162		
Ratio	HP	RPM
32.3	2.0/3	45
25.4		57
22.7	3.0	63
18.9		76
13.4		107
11.4		126
10.5	3.0/ 5.0	137
9.4		153
5.8		248
4.7		306

Model : SP 160		
Ratio	HP	RPM
37	5.0	38
27		53
19.2		75
18.9	7.5/ 5.5	76
14.8		97
10.7		135
8.2		176
6.3	5.5	229
4.6		313
4.7		306

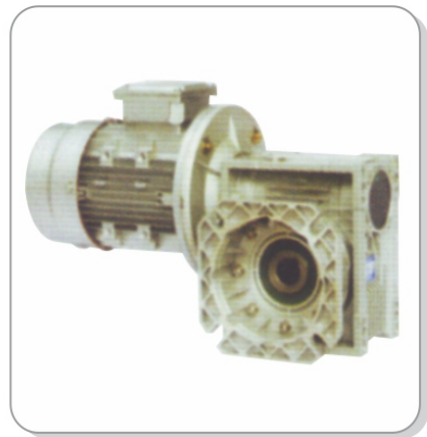
M-SERIES (THREE STAGE) HELICAL GEAR BOX



MODEL	MOTOR TYPE	NM	MM	PM	DM	TM	BM	L	B	BA	A	AB	O	H1	H2	C	D1	E1	F1	DH1	KP	KM	KN	KS	KC	KB
MODEL M:12	P71 B-5	110	130	160	14	16.5	5	244	105	127	90	135	9	85	155	20	25	50	8	8	140	95	115	9	3	10
	P80 B-5	130	165	200	19	22	6	244	105	127	90	135	9	85	155	20	25	50	8	8	140	95	115	9	3	10
	P71 B-14	70	85	105	14	16.5	5	244	105	127	90	135	9	85	155	20	25	50	8	8	140	95	115	9	3	10
MODEL M:21	P71 B-5	110	130	160	14	16.5	5	276	130	155	110	165	11	100	194	25	30	60	8	10	200	130	165	11	4	12
	P80 B-5	130	165	200	19	22	6	276	130	155	110	165	11	100	194	25	30	60	8	10	200	130	165	11	4	12
	P80 B-5	130	165	200	24	28	8	276	130	155	110	165	11	100	194	25	30	60	8	10	200	130	165	11	4	12
MODEL M:30	P80 B-5	130	165	200	19	22	6	340	165	200	135	210	14	115	240	30	35	70	10	12	200	130	165	11	4	12
	P90 B-5	130	165	200	24	28	8	340	165	200	135	210	14	115	240	30	35	70	10	12	200	130	165	11	4	12
	P100 B-5	180	215	250	28	32	8	340	165	200	135	210	14	115	240	30	35	70	10	12	250	180	215	14	4	15
	P112 B-5	180	215	250	28	32	8	340	165	200	135	210	14	115	240	30	35	70	10	12	250	180	215	14	4	15
MODEL M:60	P80 B-5	130	165	200	19	22	8	380	195	225	150	240	14	135	265	30	40	80	12	16	200	130	165	11	4	12
	P90 B-5	130	165	200	24	28	8	380	195	225	150	240	14	135	265	30	40	80	12	16	200	130	165	11	4	12
	P100 B-5	180	215	250	28	32	8	380	195	225	150	240	14	135	265	30	40	80	12	16	250	180	215	14	4	15
	P112 B-5	180	215	250	28	32	8	380	195	225	150	240	14	135	265	30	40	80	12	16	250	180	215	14	4	15
MODEL M:85	P90 B-5	130	165	200	24	28	8	400	205	235	170	250	17	140	290	35	50	100	14	16	250	180	215	14	4	19
	P100 B-5	130	215	250	28	32	8	400	205	235	170	250	17	140	290	35	50	100	14	16	250	180	215	14	4	19
	P112 B-5	180	215	250	28	32	8	400	205	235	170	250	17	140	290	35	50	100	14	16	250	180	215	14	4	19
	P132 B-5	180	265	300	38	42.5	12	400	205	235	170	250	17	140	290	35	50	100	14	16	300	230	265	14	4	19
MODEL M:150	P100 B-5	180	215	250	28	32	8	450	260	306	215	307	18	180	360	40	60	120	18	20	300	230	265	11	4	12
	P112 B-5	180	215	250	28	32	8	450	260	306	215	307	18	180	360	40	60	120	18	20	300	230	265	11	4	12
	P132 B-5	230	265	300	38	42.5	12	450	260	306	215	307	18	180	360	40	60	120	18	20	300	230	265	11	4	12

IN-PUT 1440 RPM

RATIO	80:1	72:1	60:1	51.4:1	45:1	40:1	36:1	30:1	25:1	20:1	17.1	15:1	10:1	7.5:1	6:1	4.8:1
R.P.M	18	20	24	28	32	36	40	48	58	72	85	96	144	192	240	300
0.5 HP / 0.37 KW	21	21	21	12	12	12	12	12	12	12	12	12	12	12	12	12
0.5 HP / 0.37 KW	30	30	21	21	21	21	21	21	12	12	12	12	12	12	12	12
1 HP / 0.75 KW	30	30	30	21	21	21	21	21	21	21	12	12	12	12	12	12
1.5 HP / 1.1 KW	60	60	60	60	60	30	30	30	21	21	21	21	21	21	21	21
2 HP / 1.5 KW	85	85	60	60	60	60	60	30	30	30	30	21	21	21	21	21
3 HP / 2.2 KW	85	85	85	60	60	60	60	30	30	30	30	30	30	30	30	30
5 HP / 3.7 KW	150	150	150	150	85	85	85	85	85	85	60	60	60	30	30	30
7.5 / 5.5 KW	300	300	300	300	150	150	150	150	150	150	85	85	85	85	85	85
10 HP / 7.5 KW	-	-	-	300	300	300	300	150	150	150	150	85	85	85	85	85



Since 1991

GOVARDHAN GEAR

3/1, Dashrathbhai Estate, Nr. Shakriba Party Plot,
C.T.M. Char Rasta, Ahmedabad-380026.

E-mail : govardhan_gear@yahoo.in Mob. : 9426607917

E-mail : govardhan.gear@gmail.com

Jeegar V. Patel

M. : 94266 47917

Priyank B. Patel

M. : 94293 47917

